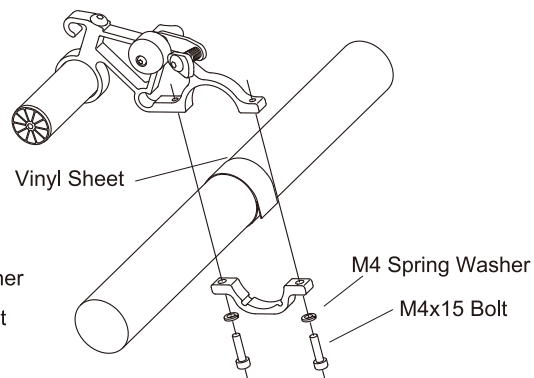
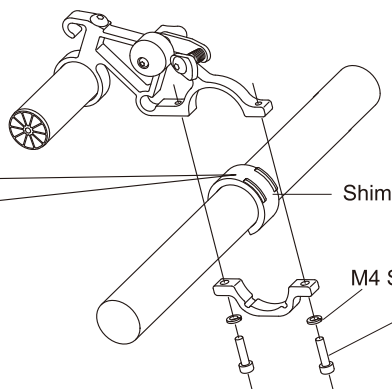
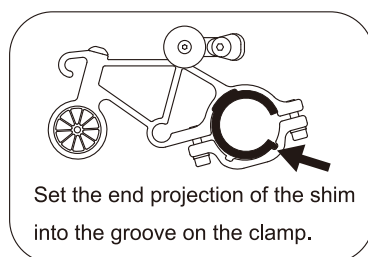


If your handlebar is 22mm (7/8" ) diameter, insert the plastic shim into the clamp.

### Normal Handlebar

### Oversize Handlebar



Do NOT overtighten.  
The thread should be damaged.

### Contact

If you have questions or need help, first contact the **store** you purchased the product or the **distributor** in your country. If your question remains unanswered, then contact us here;

#### MINOURA JAPAN (for ALL customers)

1197-1 Godo, Anpachi, Gifu 503-2305 Japan  
Phone: +81-584-27-3131 / Fax: +81-584-27-7505  
Email: minoura@minoura.jp / Web: www.minoura.jp

#### MINOURA North America (for U.S. residents ONLY)

Hayward, California, U.S.A.  
Phone: 1-510-538-8599 / Fax: 1-510-538-5899  
Email: support@minourausa.com