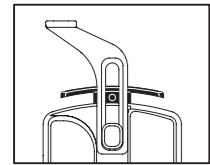


## Variations

2 different clamp sizes are available.

- **iH-500-STD** : Fits 22 – 29mm diameter
- **iH-500-OS** : Fits 27 – 35mm diameter

## Functions

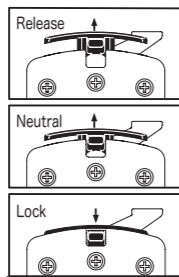


Holds the phone securely from all 4 directions. The arms are fully adjustable.

Side wings can be locked to prevent unexpected opening from shock or vibrations during ride.



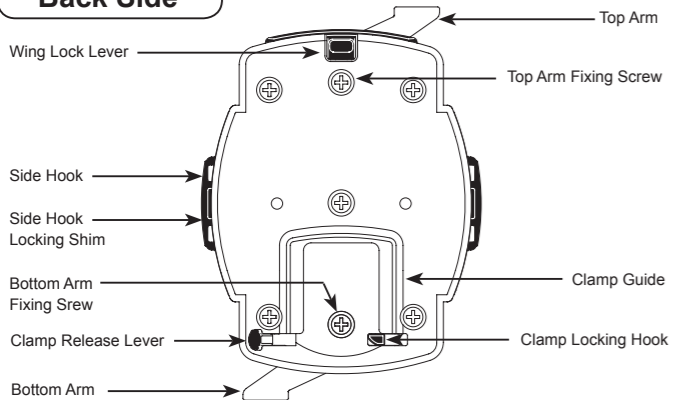
**Make sure you securely lock the wing before start riding.**



The side wings open wide to accommodate devices up to 75mm wide, with or without a case.

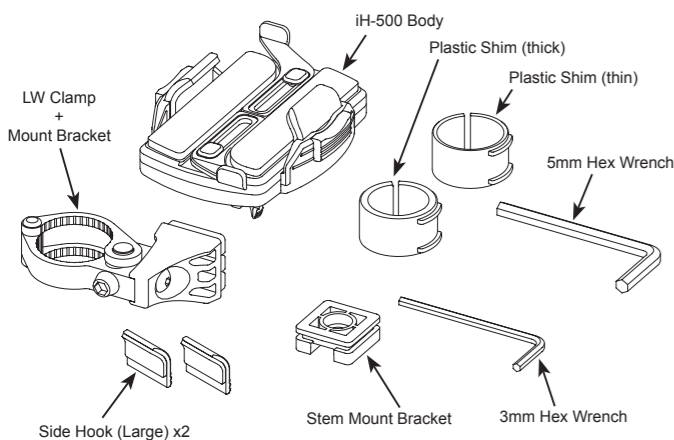
New quick release system eliminates worry of theft when parked. The body is detachable.

## Back Side



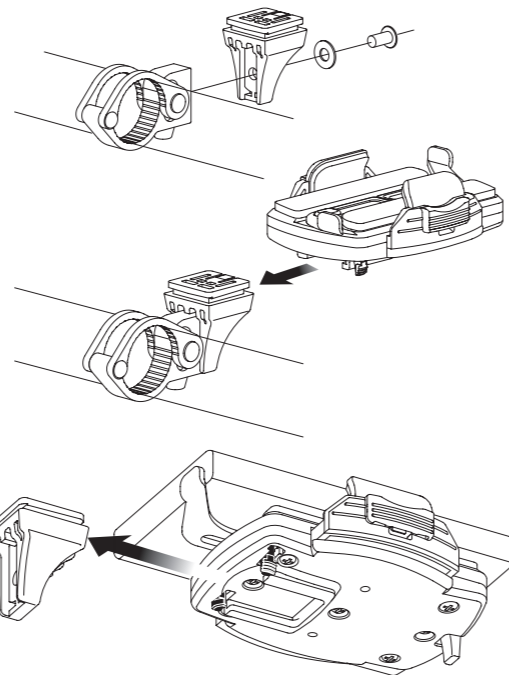
## Contents

Check to make sure you have all the parts. Contact place of purchase if you are missing pieces.



## Installation

Fasten the body to the mount bracket on the clamp.

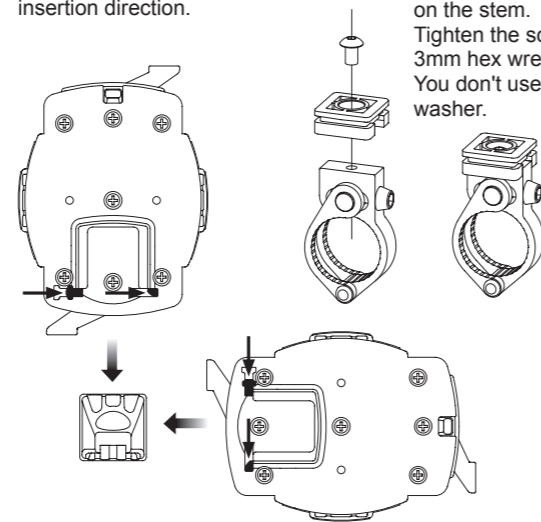


## Directions

Can be adjusted in 90 degree increments by changing the insertion direction.

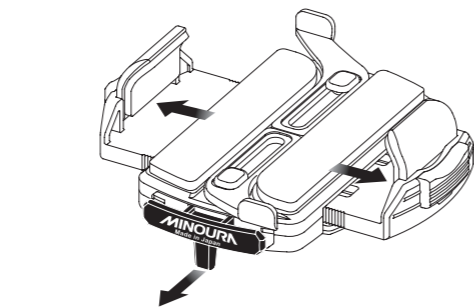
## On The Stem

Included plastic block is the bracket for mounting on the stem. Tighten the screw with 3mm hex wrench. You don't use the flat washer.



## Open Wings

To open the wings, pull the red Wing Lock Lever. After clamping the phone, push down this lever to lock the wings securely.



**Re-pushing the wings after clamping the phone could release the lock automatically. Make sure the red lock lever is fully engaged before riding.**

## Adjust Hook

iH-500 comes with 2 sets of Side Hooks (Large & Small). Each hook can be set at 2 levels to fit various thickness of the phone. Choose the best hook size and position to your actual phone size.

6 – 9mm Thick

Small Hook / Low

12 – 15mm Thick

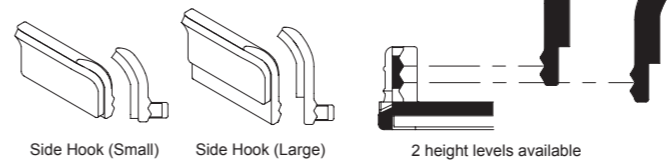
Large Hook / Low

9 – 12mm Thick

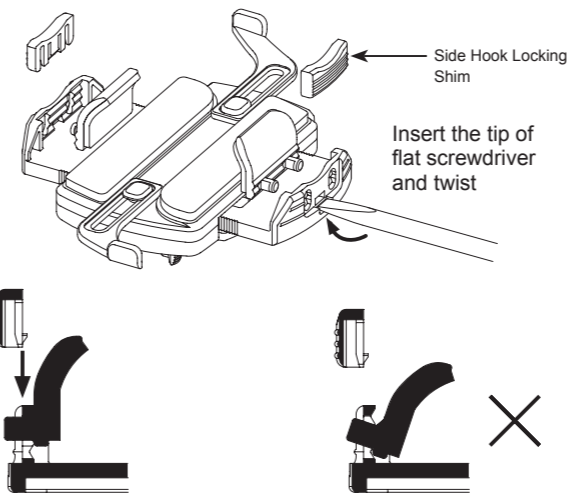
Small Hook / High  
[ Default Combination ]

15 – 18mm Thick

Large Hook / High



## Replace Hook

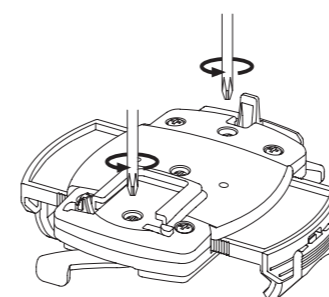


While pushing the hook fully toward the wing end, slide down the shim to the pins to fix. Make sure you fully push down the shim.

If the hook has been slanted, the shim cannot be installed.

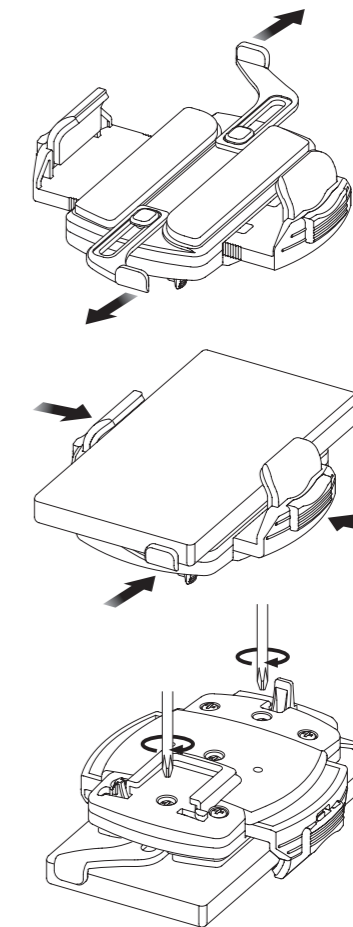
## Adjust Arms

Adjust the arm position to fit the actual phone size.



The center chrome plated screw holds the arm. Loosen it to adjust the arm position.

**Do not loosen any other screws.**



Extend both top and bottom arms.

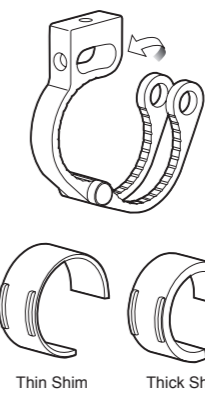
Place the phone and shut the wings to hold the phone temporarily.

Slide both arms until they touch the phone case. Tighten the screw to fix the position.

We recommend you to set the phone as close to you as possible for better balance.

## Clamp Mechanism

iH-500 comes with the lightweight type clamp which requires a tool to tighten.



Disassemble the clamp, wrap the handlebar and shut the arms.

Insert the appropriate plastic shim between the clamp and the handlebar depending on the target tube diameter. See the chart below;

|               | [STD]       | [OS] |
|---------------|-------------|------|
| Thick Shim:   | 22mm / 27mm |      |
| Thin Shim:    | 25mm / 32mm |      |
| without Shim: | 29mm / 35mm |      |

Insert the roll nut in the all 3 holes. Make sure the thread hole on the roller nut can be seen through the hole beside the clamp body.

Screw the bolt to the thread hole on the roll nut. Be sure you must screw the bolt with your fingers for the first 3 – 4 revolutions, then use the 5mm hex wrench to fix the clamp securely.

**You should not use the hex wrench from the beginning. If the bolt has been slanted, it will destroy the roll nut.**

**Be sure the roll nut is made of soft alloy material. Do not force to tighten, otherwise the thread hole will be broken.**