

Important Notes

- DS-2200 is meant to be used with a standard bicycle only. Never attempt to get on your bike when it is in the stand.
- Place DS-2200 on flat and level floor. Balance the bike to prevent it from falling down, especially when using DS-2200 in vertical position.
- DS-2200 uses two swingable holders for your bike. They move on their own to accommodate any bicycle DS-2200 is designed to hold. To get maximum stability, set the tire holder distance as far apart as possible without the bike touching the floor. If the bike touches the floor, it will cause instability in the stand.
- To set the bike vertical, you must place the rear wheel on the tire holders. Do NOT place the bike upside down.
- When placing the bike horizontal, we recommend to set the rear wheel on the tire holders, not the front wheel. If you need to set the front wheel in the holders, make sure the wheel is straight.
- You can set the pillar on either right or left side. Depending on the room condition, choose the appropriate side. Be sure you adjust the pillar length correctly to place the front wheel hook at the 4 o'clock position of the front wheel. If it's too low, the stability will get worse, and if it's too high, it will become difficult to mount the bike on DS-2200.

Warranty

Minoura offers 1-year limited warranty for the first user of this product who purchased it at brand-new condition. Any other users who get at used condition through shops, auction site or personal trading cannot receive this warranty service from Minoura. For more information, please refer the attached "Minoura Limited Warranty Policy" card.

Contact

*If you have any questions or need help, you should contact the **dealer** where you purchased or the **Minoura distributor** in your country first. Only when you cannot get enough service, you can contact us;*

MINOURA JAPAN (for ALL customers)

134-1 Shimomiya, Godo, Anpachi, Gifu 503-2312 Japan

Fax: +81-584-27-7505

Email: minoura@minoura.jp / Web: www.minoura.jp

MINOURA North America (for U.S. residents ONLY)

Hayward, California, U.S.A.

Phone: 1-510-538-8599 / Fax: 1-510-538-5899

Email: support@minourausa.com

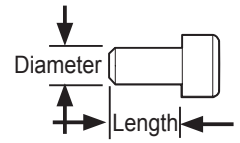
How To Assemble

Tool: 4mm Hex Wrench

DS-2200 is packed almost ready to go out of the box.

All you need to do is install the Step-Bar and Pillar to the Main Frame.

How To Read Bolt Size



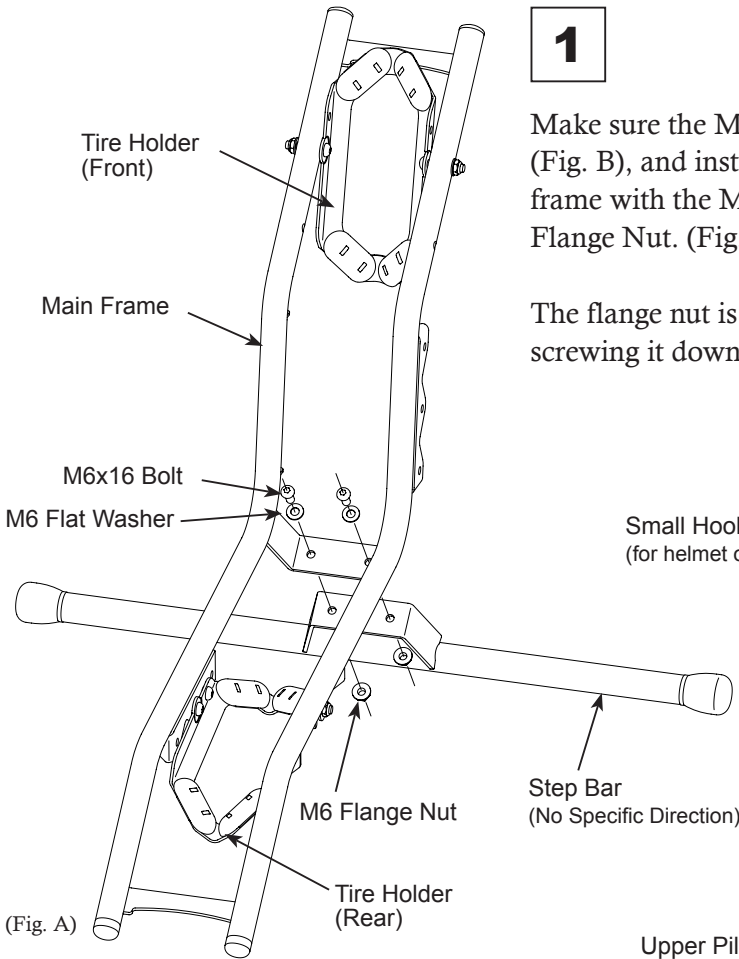
Ex) $M\ 6\ \times\ 30$
Diameter Length

(Unit: mm)

1

Make sure the Main Frame direction first (Fig. B), and install the Step-Bar to the frame with the M6x16 Bolt and the M6 Flange Nut. (Fig. A)

The flange nut is self tightening so simply screwing it down to tighten.



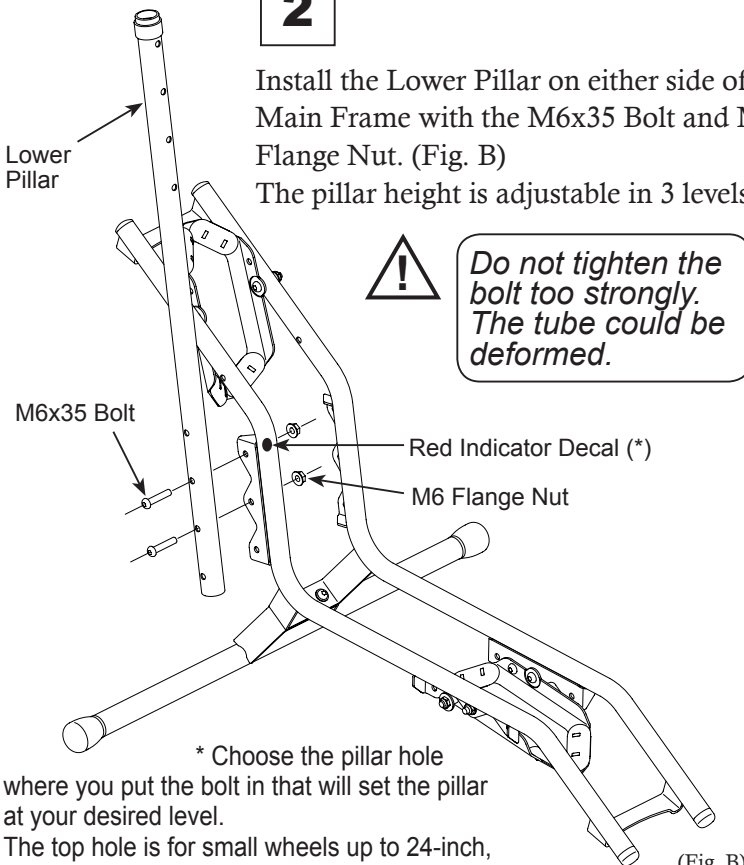
(Fig. A)

2

Install the Lower Pillar on either side of the Main Frame with the M6x35 Bolt and M6 Flange Nut. (Fig. B)
The pillar height is adjustable in 3 levels. (*)



Do not tighten the bolt too strongly. The tube could be deformed.



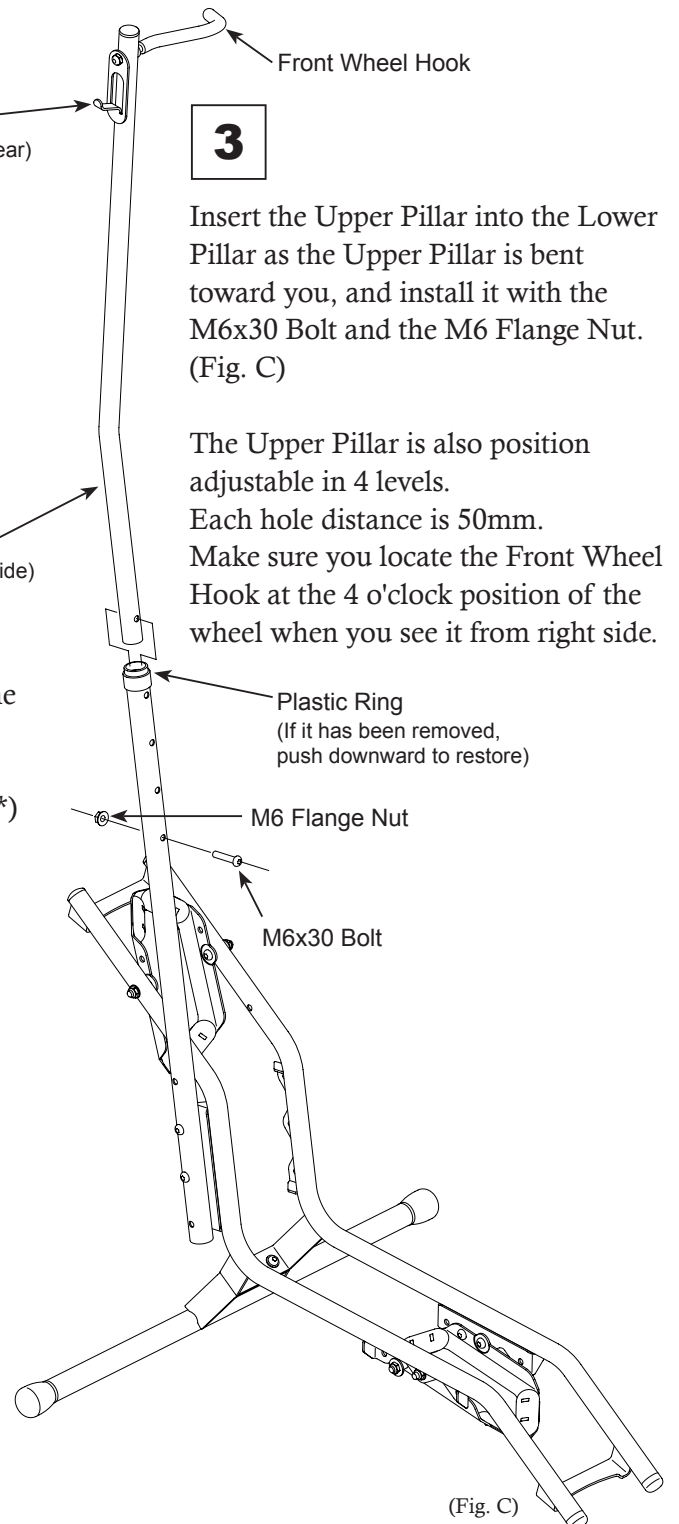
(Fig. B)

* Choose the pillar hole where you put the bolt in that will set the pillar at your desired level.
The top hole is for small wheels up to 24-inch, the 2nd hole is for 26-inch & 700c, and the 3rd hole is for 29-inch. (Fig.B shows the 2nd level)

3

Insert the Upper Pillar into the Lower Pillar as the Upper Pillar is bent toward you, and install it with the M6x30 Bolt and the M6 Flange Nut. (Fig. C)

The Upper Pillar is also position adjustable in 4 levels. Each hole distance is 50mm. Make sure you locate the Front Wheel Hook at the 4 o'clock position of the wheel when you see it from right side.



(Fig. C)

Switching The Pillar

Tool: 10mm Spanner

Depending on your room layout or your dominant hand, it could be easier for you to access your bike from left side. If so, replace the pillar to the right side. (Fig. E)

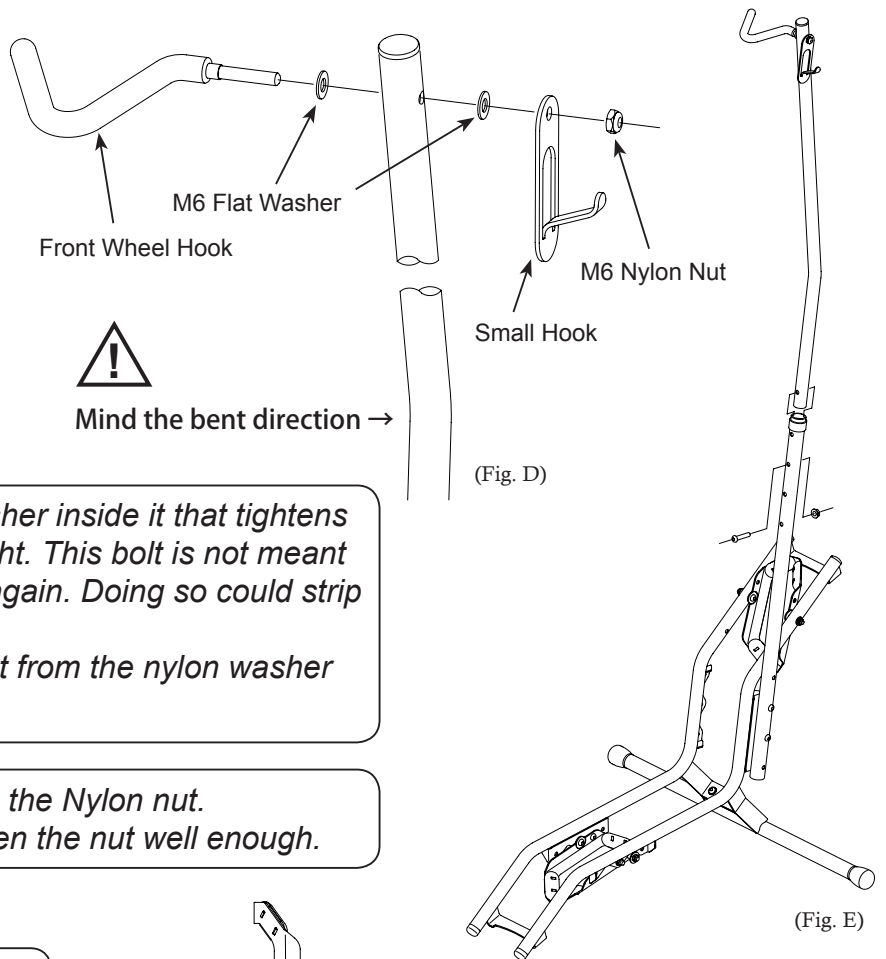
You will need to remove the Front Wheel Hook and the Small Hook then reinstall them on the opposite side. (Fig. D)



The Nylon nut has a softer washer inside it that tightens as you turn the screw to the right. This bolt is not meant to be tightened over and over again. Doing so could strip the Nylon washer. And do not try to screw the bolt from the nylon washer side hole.



You will need a spanner to turn the Nylon nut. Using your fingers will not tighten the nut well enough.



Changing Tire Holder Position

Tools: 4mm Hex Wrench, 10mm Spanner

Both front and rear tire holders are position changeable each by each to fit your existing wheel as perfectly as possible. (Fig. F)

You will set the rear holder first, then change the front holder position if necessary.

Be sure you install the rear tire holder from bottom of the main frame.



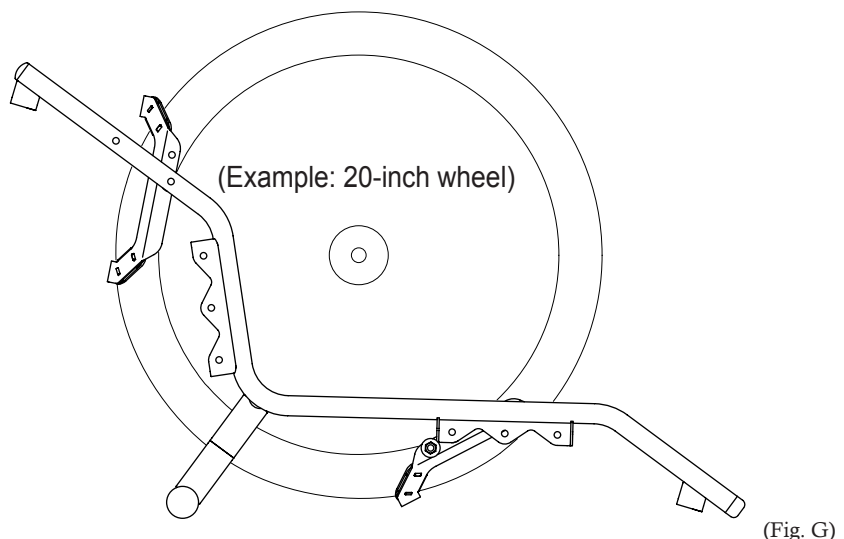
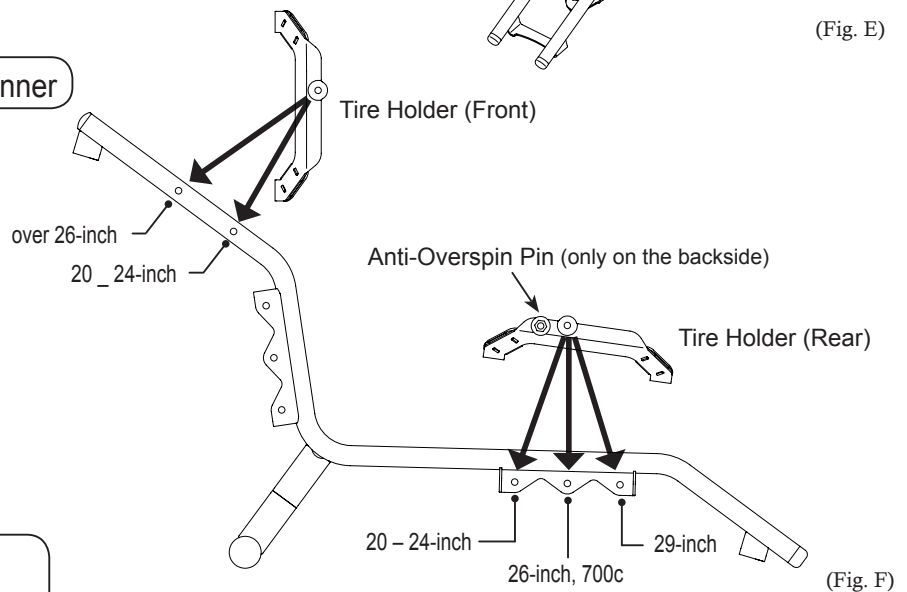
Make sure the tire will NOT touch the floor. Failure to do so will cause serious unstable problem.



Do not overtighten the bolt, otherwise the tire holder will not swing freely. After tightening, slightly loosen the bolt. It would work fine.

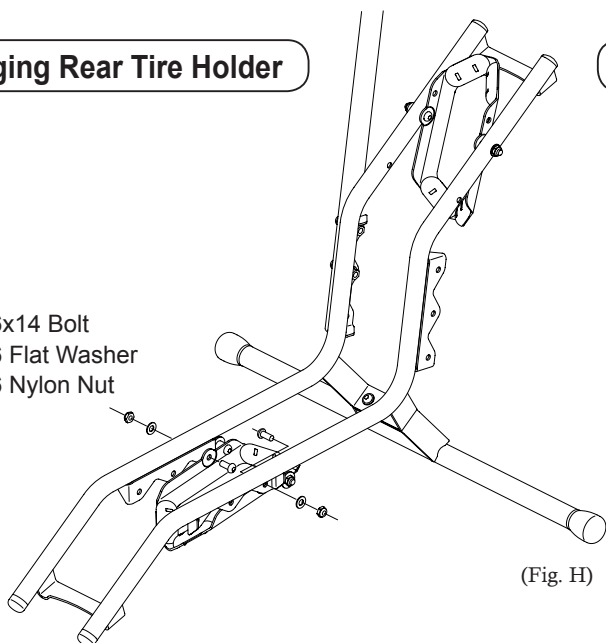


Anti-Overtighten Pin works for preventing rotating the tire holder backward. For this reason, you install the tire holder from the bottom side.



Changing Rear Tire Holder

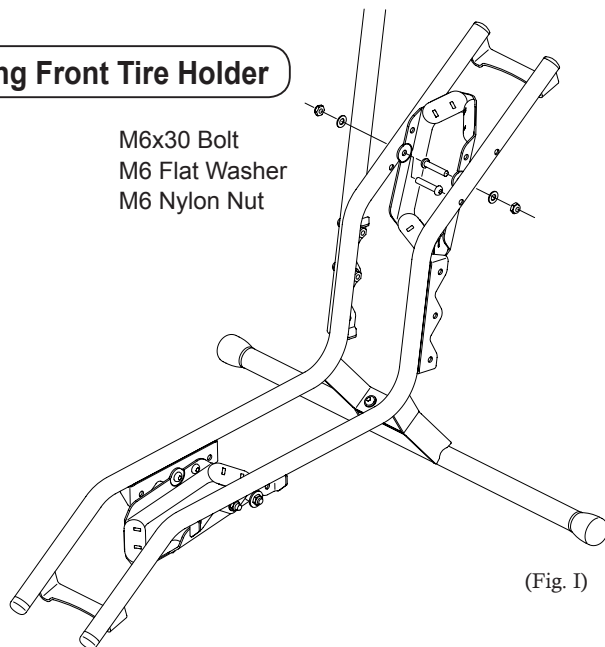
M6x14 Bolt
M6 Flat Washer
M6 Nylon Nut



(Fig. H)

Changing Front Tire Holder

M6x30 Bolt
M6 Flat Washer
M6 Nylon Nut



(Fig. I)

How To Mount Bike On DS-2200

You can mount a bike on DS-2200 both vertically and horizontally.

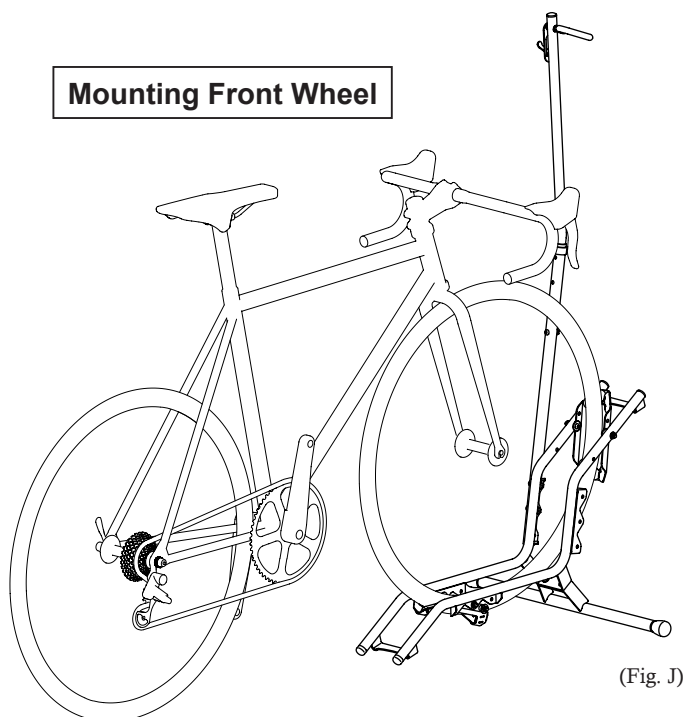
Horizontal Style

Storing the bike horizontally takes up more space. But if you are using your bike daily, this is a good option.

You can choose the mounting wheel between the front wheel (Fig. J) or the rear wheel (Fig. K).

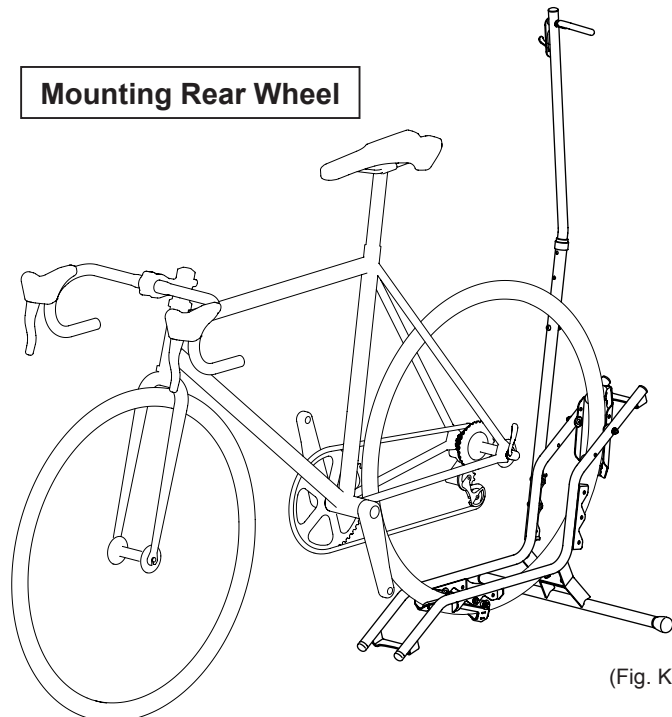
We recommend you to hold the rear wheel rather than the front wheel for better stability.

Mounting Front Wheel



(Fig. J)

Mounting Rear Wheel



(Fig. K)



To achieve maximum stability when the bike is mounted by the front wheel, align the front wheel with the bike frame, not handlebars. Using the handlebars could tilt the bike, causing instability.

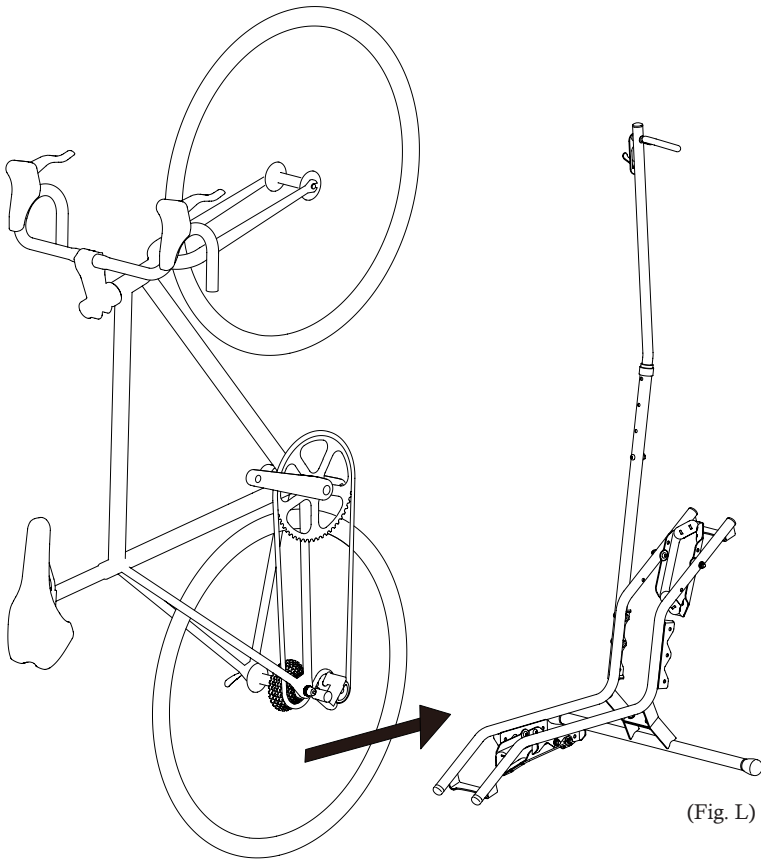


You can remove the Pillar if you use DS-2200 in horizontal style ONLY.

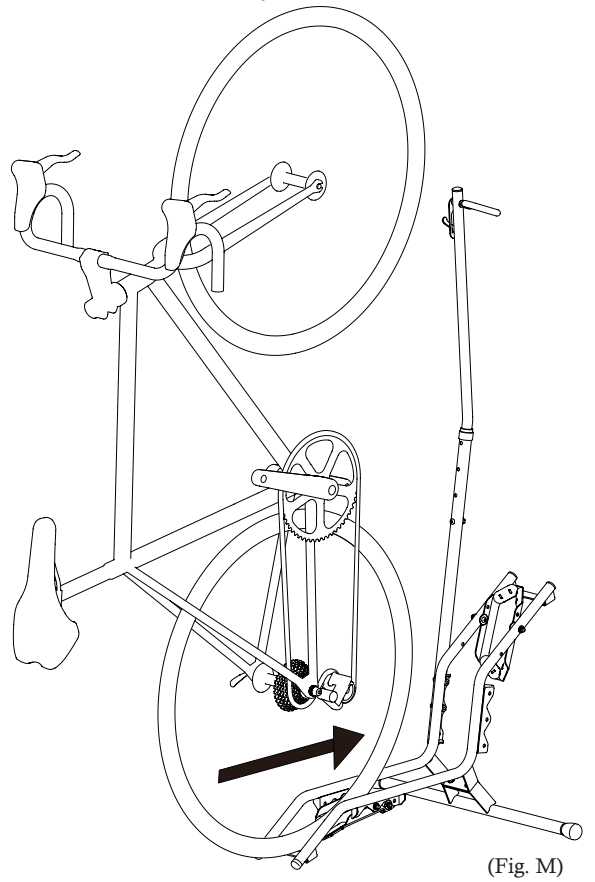
Vertical Style

Mounting the bike vertically saves the most space.

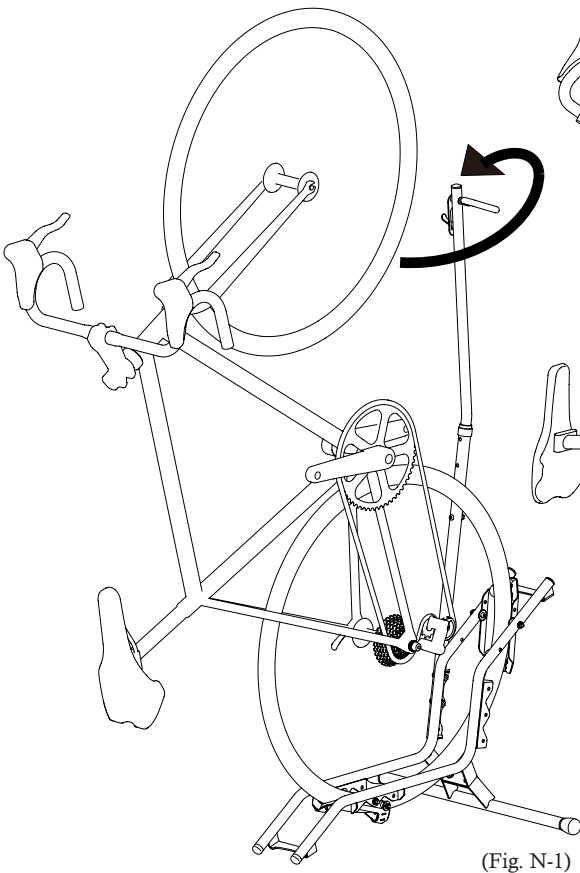
1 Flip and stand the bike, and push forward.



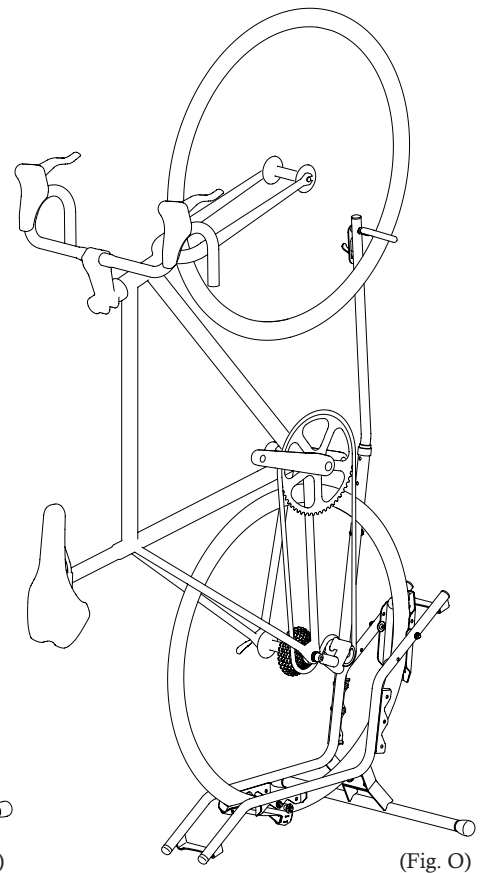
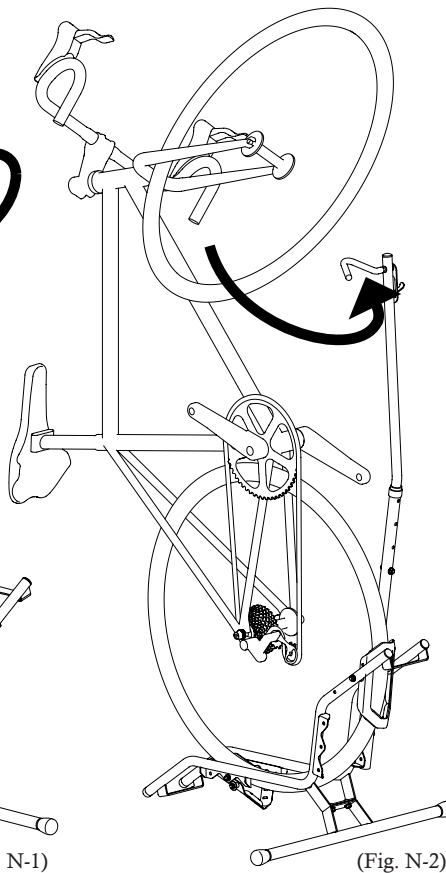
2 You never need to lift up the bike, just push forward, then the rear wheel will step over the Tire Holder naturally.



3 Continue pushing the bike forward, then the rear wheel will be stored between the Tire Holders.



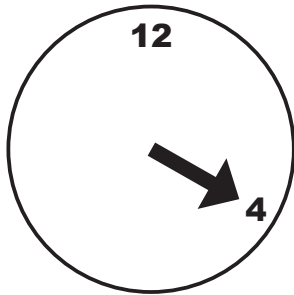
4 Twist the front wheel to catch the rim with the Front Wheel Hook. (Fig. N-2 & O)



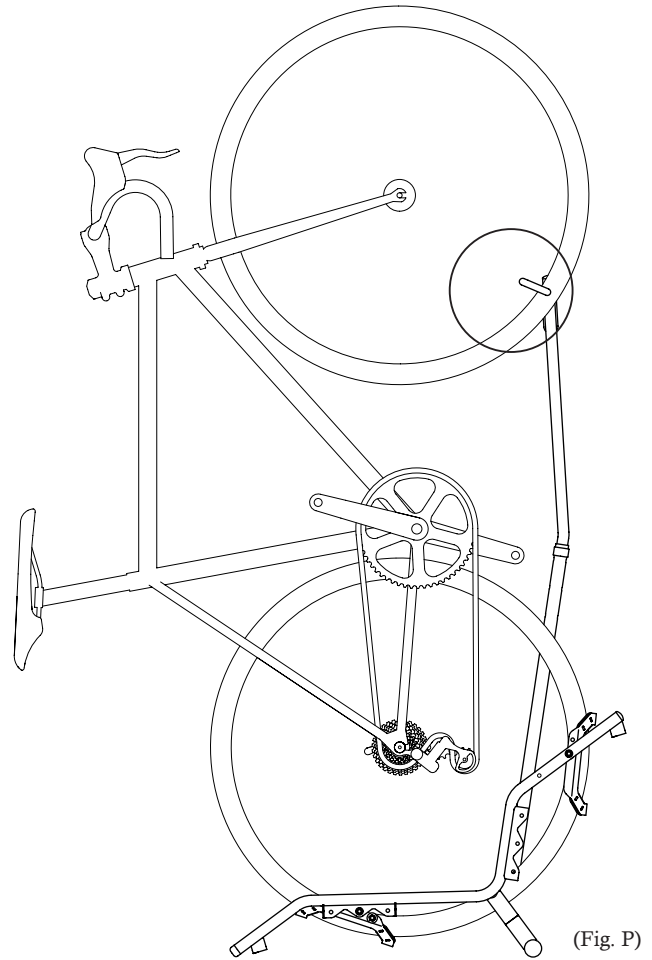
Front Wheel Hook Position

Front Wheel Hook should be located at 4 o'clock position when viewing from right side.

It is the best angle to hook the wheel easily and can hold the bike at maximum stability. (Fig. P)



*If the hook position is too low for the bike size, the bike may rock back and forth and decrease stability.
If the hook is too high, getting the wheel to reach will become difficult.*



(Fig. P)