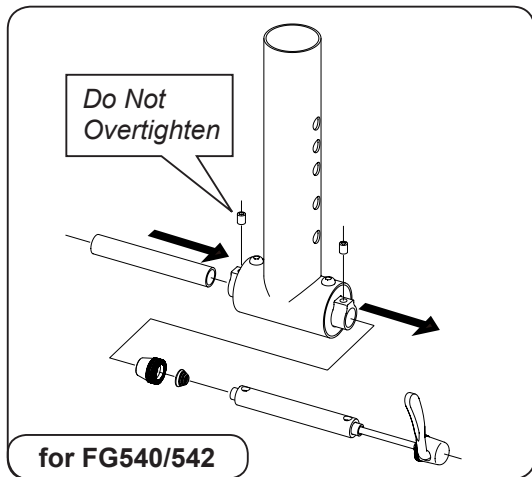
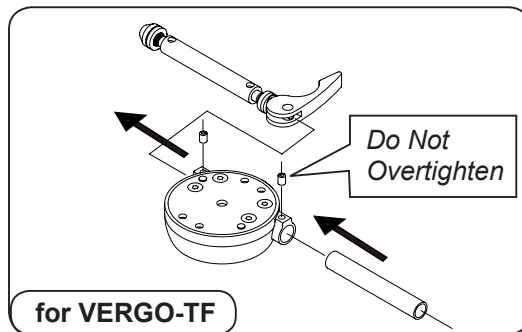


**MINOURN****Universal Adapter for 12mm Thru Axle (FRONT)**

取説：5000-50310



For mounting a 12mm thru axle type fork on the fork mount instead of the standard quick release skewer.  
Loosen headless bolts to replace.

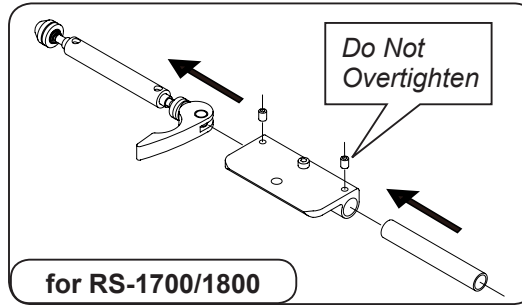
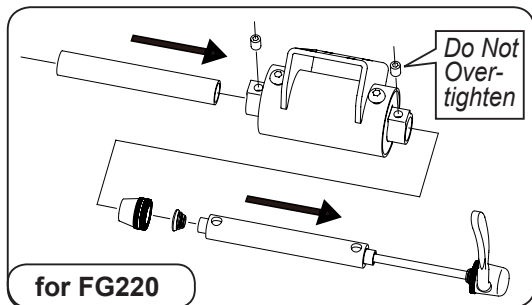


**!** **CAUTION**

*Do not try to **over-tighten** the headless bolts. It should cause serious damage to the alloy tube.*

**!**

*The adapter length is 100mm only. Not for any other sizes.*

**Contact****MINOURA JAPAN**

134-1 Shimomiya, Godo,  
Anpachi, Gifu, Japan  
minoura@minoura.jp  
www.minoura.jp

Made in Japan